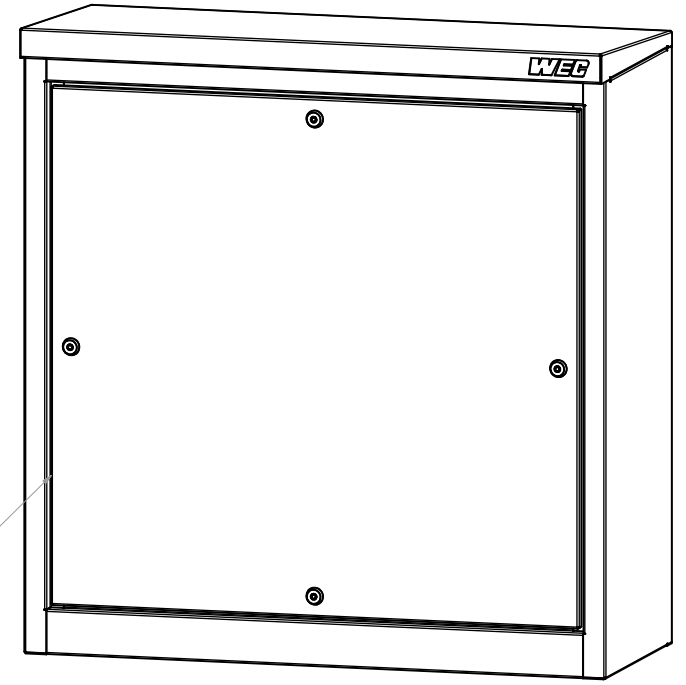


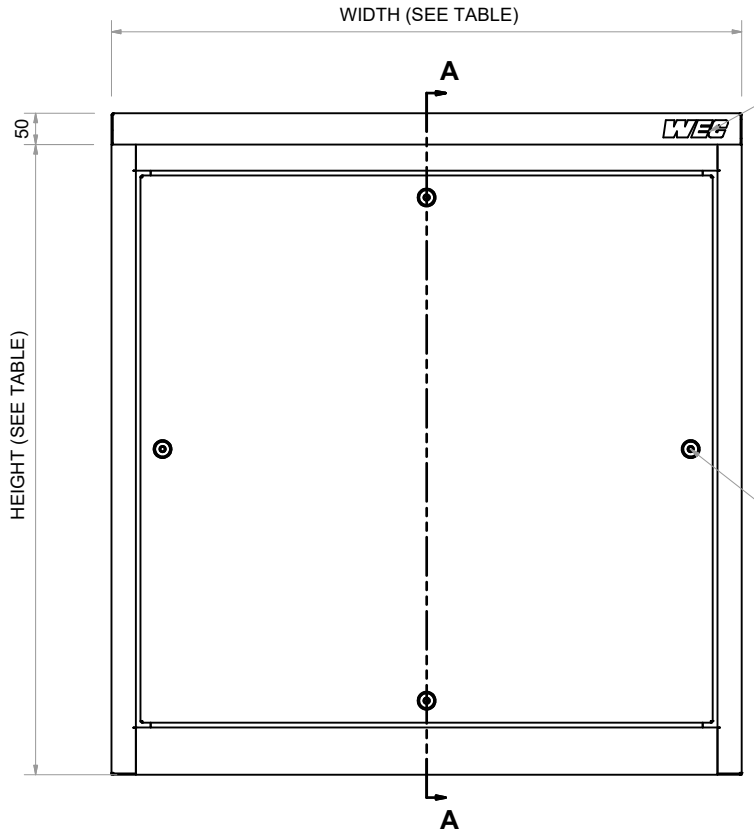
UNDERSIDE ELEVATION

STANDARD CABINET SIZES			
MODEL REF.	HEIGHT	WIDTH	DEPTH
RC153	1000mm	500mm	300mm
RC114	1000mm	1000mm	400mm
RC116	1000mm	1000mm	600mm
RC1/13/6	1000mm	1300mm	600mm
RC15/8/6	1500mm	800mm	600mm
SPECIAL	ANY	ANY	ANY

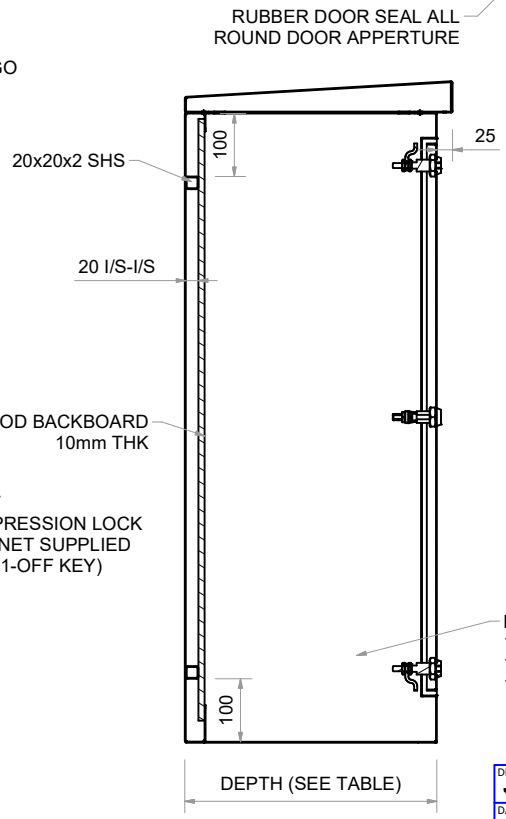
OPTIONAL EXTRAS
19" SWING OUT RACKING (25-U MAX)
VAULT STYLE / HIGH SECURITY DOOR
HINGED DOOR(S)
DOCUMENT HOLDER
PLINTH STYLE ROOT
FAN + FAN PLATE
THERMOSTAT
HEATER
SHELF
PRESSED LOUVERS (ADDITIONAL PASSIVE VENTING)
SPECIAL REQUESTS



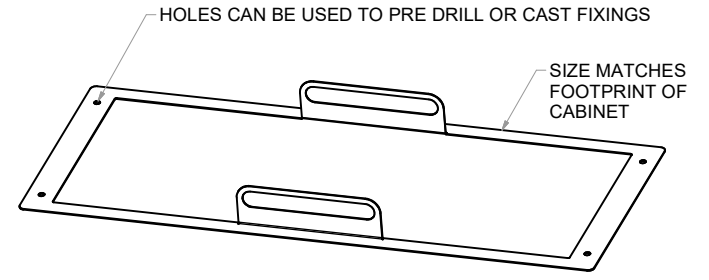
3D PERSPECTIVE



FRONT ELEVATION



SIDE ELEVATION - A-A (1:6)



RE-USEABLE ROOT TEMPLATE
(1-OFF SUPPLIED per/ ORDER FOR STANDARD CABINET)

- M6x20 EARTHING BOLT
- 1-OFF ON BODY
- 1-OFF ON LID
- 1-OFF ON DOOR

NOTES:
MATERIAL: CHROMWELD (AS STANDARD)
FINISH: POWDERCOATED ANY RAL COLOUR

DRAWN BY: J.Keen		TITLE: ROADSIDE CABINET
DATE: 19/08/2021		CUSTOMER: DO NOT SCALE IF IN DOUBT ASK
DIMENSIONS: MM	CCTV	DRAWING No: WEC-RC-SALES-01
PROJECTION: 1ST ANGLE	<small>This drawing / document is copyright and sole property of WEC Group Ltd. Therefore as such the contents may not either in whole or in part be passed to a third party without first obtaining permission from WEC Group Ltd.</small>	ISSUE: 00
		SIZE: A2
SHEET 1 OF 1		