

WUA WEC Winch Unit Type A
WUA/M WEC Winch Unit Type A/M

This winch unit is designed and tested for use exclusively with the following WEC products and equipment:-

WD4 WD6 WD8 WD10 WD12
Tilt over lattice towers.

TP4S TP5T TP6S TP8S
Demountable Columns.

TP4T TP5T TP6T TP8T
Demountable Columns.

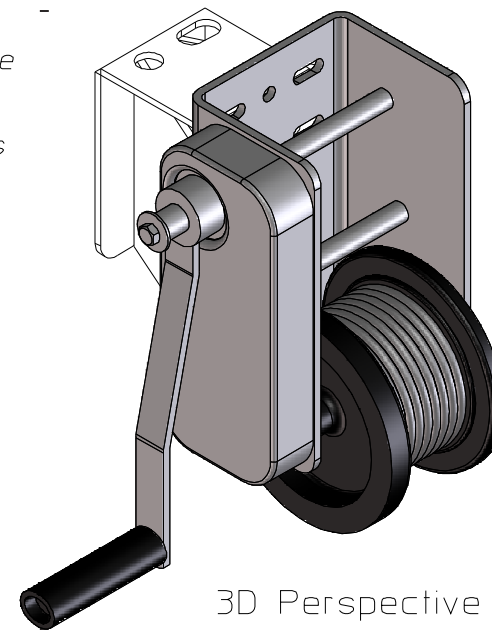
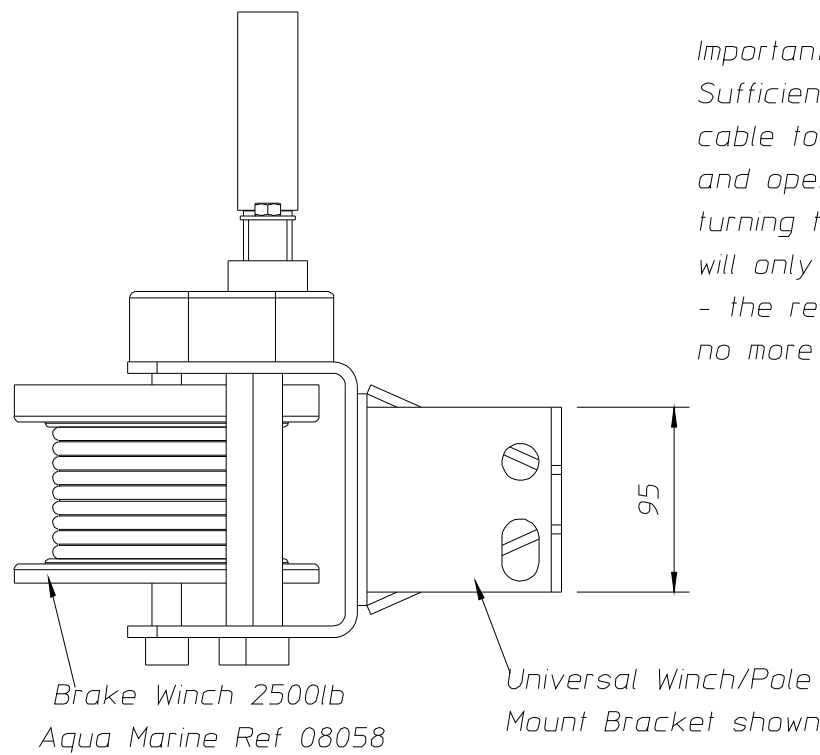
For TP10S, TP10T, WD10HD & WD12HD Use Winch Unit WUA/M

CBT04 CBT06 CBT08
320 Cabinet Base Tilt-over

TCT04 TCT06 TCT08 TCT010
400 Town Centre Tilt-over

DO NOT USE ON ANY OTHER PRODUCTS THAN THOSE STATED.

Important
Sufficient load must be applied to the cable to overcome internal resistance and operate the brake properly; otherwise turning the crank handle counter clockwise will only remove the handle from the shaft - the reel will not turn. The winch requires no more than 30 kg. to engage the brake.



3D Perspective

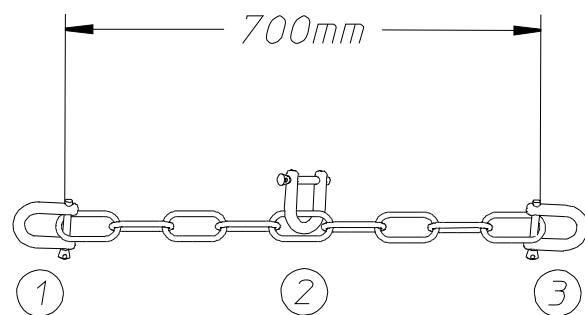
It is imperative that all operators are fully conversant with the operation and procedures of the product that the winch is to be used upon.

WEC recommends Winch Training and offers suitable courses for operators

Maintenance

1 - Inspect the winch cable for signs of damage or deterioration with every operation.

2 - Grease the main gear wheel on a regular basis.



SAFETY CHAIN NOTE

When using on lattice towers use full length of chain (1 - 3)
When using on columns use half length of chain (1 - 2)

1ST ANGLE PROJ'N 	UNITS:- mm	CUSTOMER	JOB / ORDER NUMBER	
DIMENSION TOL'CE	ANGLE TOL'CE	MATERIAL	TREATMENT OR FINISH	
GENERAL SURFACE FINISH 	SCALE 1:3	ASSEMBLY No.	No. OFF PER ASSY.	PART No.
DESCRIPTION WUA Winch Unit Type A Heavy Duty Brake Winch		DRAWING No. WEC-008-0647-2		A3
DRAWN S. Byrne	CHECKED	DATE 27th April 2010	SUPERSEDES	
WELDING ENGINEERING LTD, BRITANNIA HOUSE, JUNCTION STREET, DARWEN, LANCASHIRE BB3 2RB. TEL: (01254) 773718 FAX: (01254) 873637				
ALL RIGHTS STRICTLY RESERVED. REPRODUCTION OR ISSUE TO THIRD PARTIES IN ANY FORM WHATEVER IS NOT PERMITTED WITHOUT WRITTEN AUTHORITY FROM THE PROPRIETORS.				