

OPERATION INSTRUCTIONS

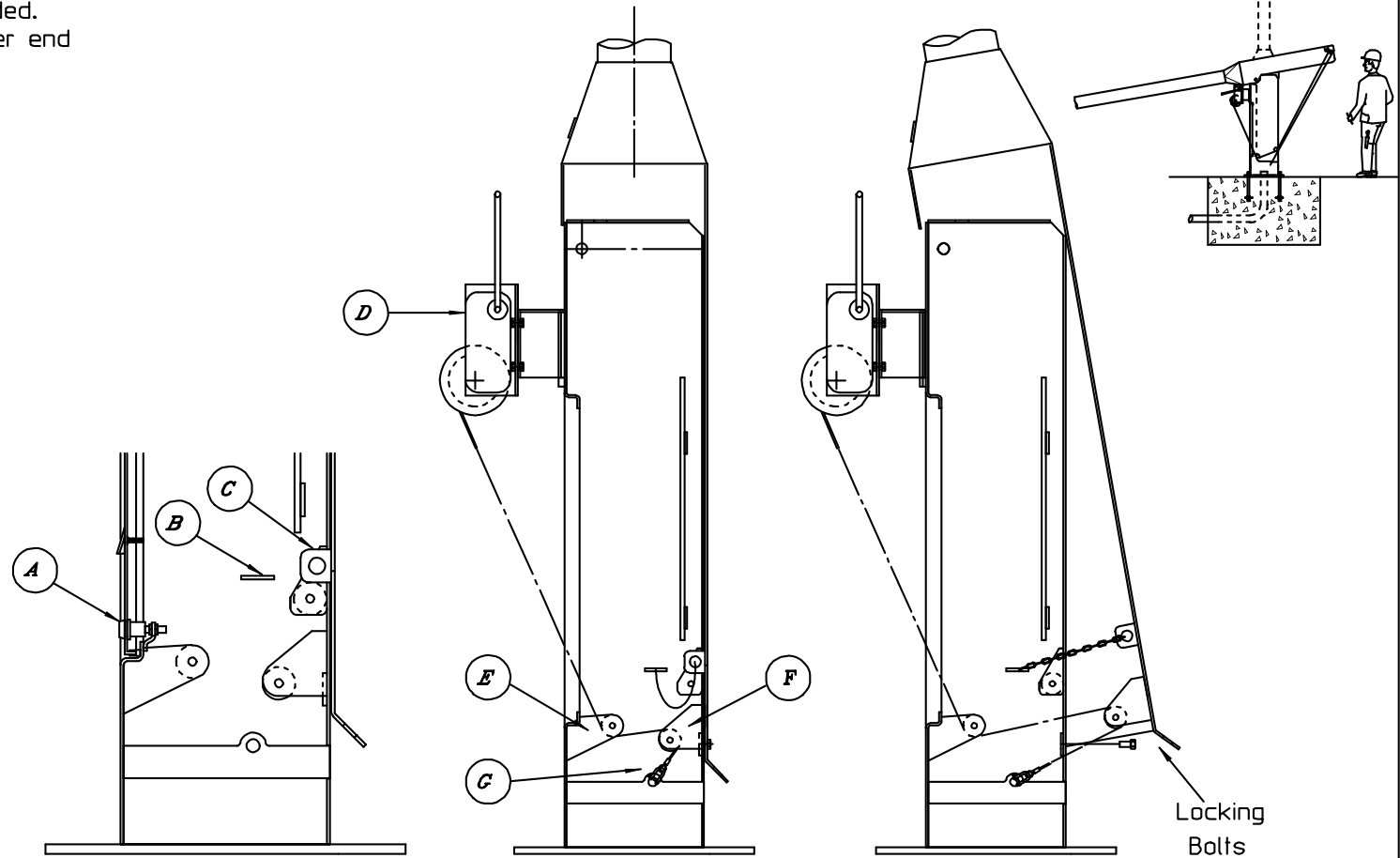
Cabinet Based Tilt Over Column (CBTO & TCTO)

Lowering Procedure

- 1 - Remove access door ' A ', using key provided.
- 2 - Fit safety chain to lug ' B ' and attach other end to lug ' C ' with shackles provided.
- 3 - Slide winch ' D ' into slot (reel down) ensuring that it engages fully
- 4 - Wind cable off winch and run under pulley wheel ' E ' & over pulley ' F '.
- 5 - Connect onto anchor bar ' G ' using shackle provided
- 6 - Remove Locking Bolts (M12) and open to extent of safety chain
- 7 - Wind in excess cable on winch unit, until the safety chain just becomes slack.
- 8 - Remove safety chain and lower column to desired position, ensuring it does not clash with winch unit

Note - The Heavy Duty Winch (WUA) is designed to lift load (reel in) when crank is turned clockwise. This action will produce a clicking sound within the mechanism. To lock load at desired position, release handle. To lower load (reel out) turn crank handle anti-clockwise. To lock load at desired position, turn handle clockwise until at least two clicks are heard inside the mechanism before releasing the handle.

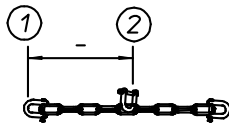
- 9 - Winding Column into its vertical position is a direct reversal of the above procedure.



Note:

Never disconnect Winch cable until Securing Bolts are fixed & secure.

Safety Chain Note



When using on columns use half length of chain (1 - 2)

1ST ANGLE PROJ 	UNITS:- mm	CUSTOMER	JOB / ORDER NUMBER	
DIMENSION TOL'CE	ANGLE TOL'CE	MATERIAL	TREATMENT OR FINISH	
GENERAL SURFACE FINISH 	SCALE 1:10	ASSEMBLY No.	No. OFF PER ASSY.	PART No.
DESCRIPTION FITTING & ASSEMBLY INSTRUCTION CBTO CABINET BASED TILT OVER			DRAWING No. WEC-001-1254-0	A3
DRAWN A. Howarth	CHECKED	DATE 24-May-20	SUPERSEDES	
WEC GROUP LIMITED, BRITANNIA HOUSE, JUNCTION STREET, DARWEN, LANCASHIRE BB3 2RB. TEL: (01254) 773718 FAX: (01254) 873637				
ALL RIGHTS STRICTLY RESERVED. REPRODUCTION OR ISSUE TO THIRD PARTIES IN ANY FORM WHATSOEVER IS NOT PERMITTED WITHOUT WRITTEN AUTHORITY FROM THE PROPRIETORS.				